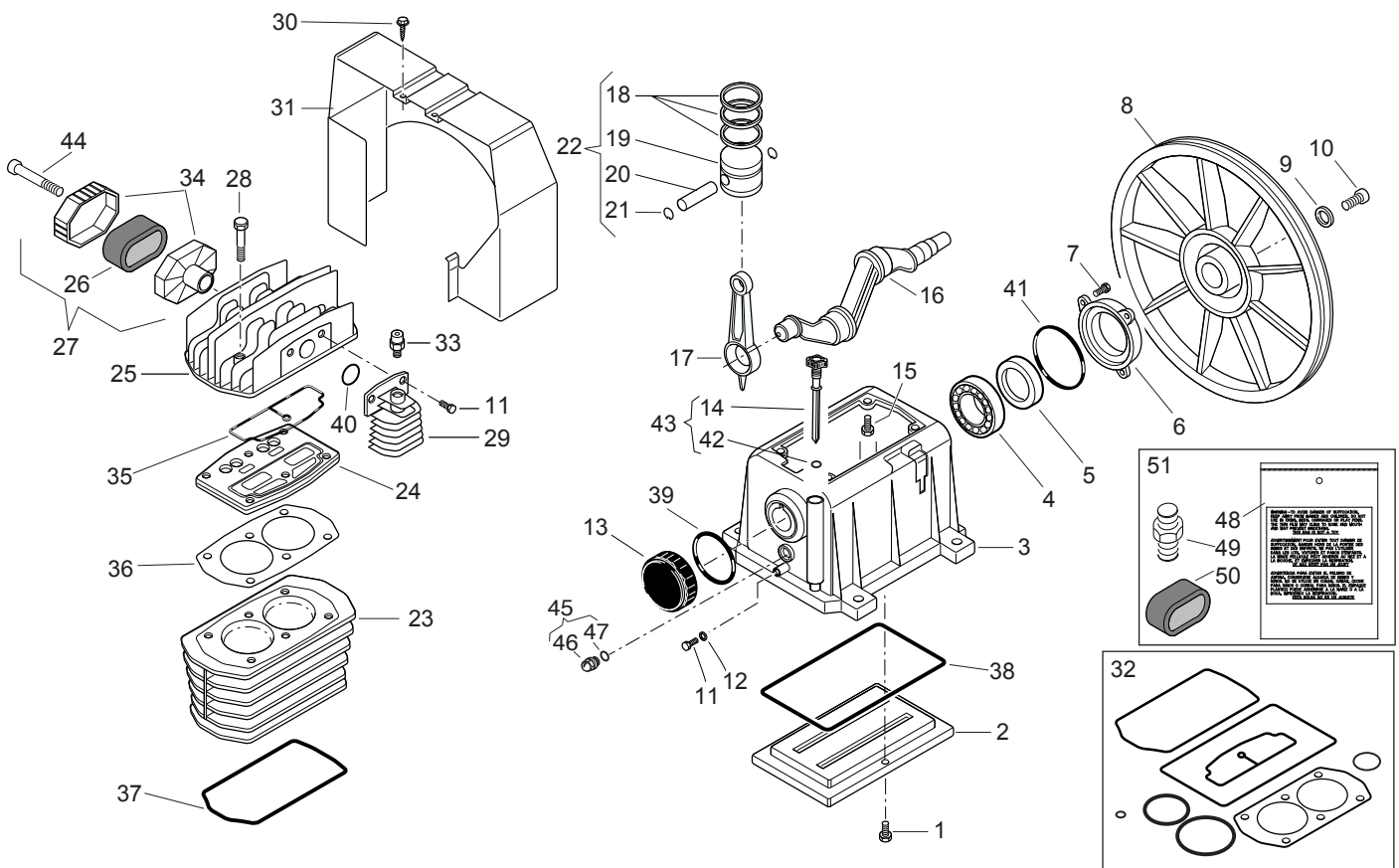


Type: **Belt driven**Model: **MK103 USA**Code: **5131670030**Date: **AUG 2008**Version: **01**

Ref.	Q.ty	Code	*	Denomination
1	6	014013054		TAPPING SCREW
2	1	113149015		LOWER COVER
3	1	113167030		CRANKCASE
4	1	033027000		BEARING
5	1	010053000		OIL SEAL
6	1	113149008		FRONT SUPPORT
7	3	014013021		SCREW
8	1	013160010		FLYWHEEL
9	1	014005001		WASHER
10	1	014001053		SCREW LEFT
11	3	014013082		SCREW
12	1	014005025		WASHER
13	1	113149009		END COVER
14	1	012036000	3	OIL DIPSTICK
15	4	014010044		TAPPING SCREW
16	1	113167003		CRANKSHAFT
17	2	113150004	4	CONROD
18	2	213167001	8	PISTON RING KIT
19	2	113164009		PISTON
20	2	116025006		PISTON PIN
21	4	015023000		CIRCLIP
22	2	413167006	4	COMPLETE PISTON
23	1	113167002		CYLINDER
24	1	413167005		VALVE HOLDER PLATE
25	1	113167020		HEAD

* Suggested parts in percentage



Ref.	Q.ty	Code	*	Denomination
26	1	017003000	12	FILTERING ELEMENT
27	1	317001000	4	INTAKE FILTER
28	6	014002041		SCREW F/RO
29	1	116091024		RADIATOR
30	1	014006121		TAPPING SCREW
31	1	113150002		SHROUD
32	1	213167002	6	SEAL KIT
33	1	011158000		COLD START VALVE
34	1	017007005		SHELL FOR THE INTAKE
35	1	113167008		SEAL
36	1	113167007		CYLINDER GASKET
37	1	113149012		SEAL
38	1	113149013		SEAL
39	1	010121000		O-RING
40	1	010085000		RADIATOR O-RING
41	1	010023000		O-RING
42	1	010025000		O-RING
43	1	312036000		DIPSTICK ASSEMBLY
44	1	014002029		SCREW
45	1	012029000		OIL GLASS KIT
46	1	012101000		OIL GLASS
47	1	010231000		GASKET
48	1	198979204		PLASTIC BAG
49	1	011462000		NIPPLE
50	1	017037001		FILTER ELEMENT
51	1	113167031		FILTER KIT

* Suggested parts in percentage