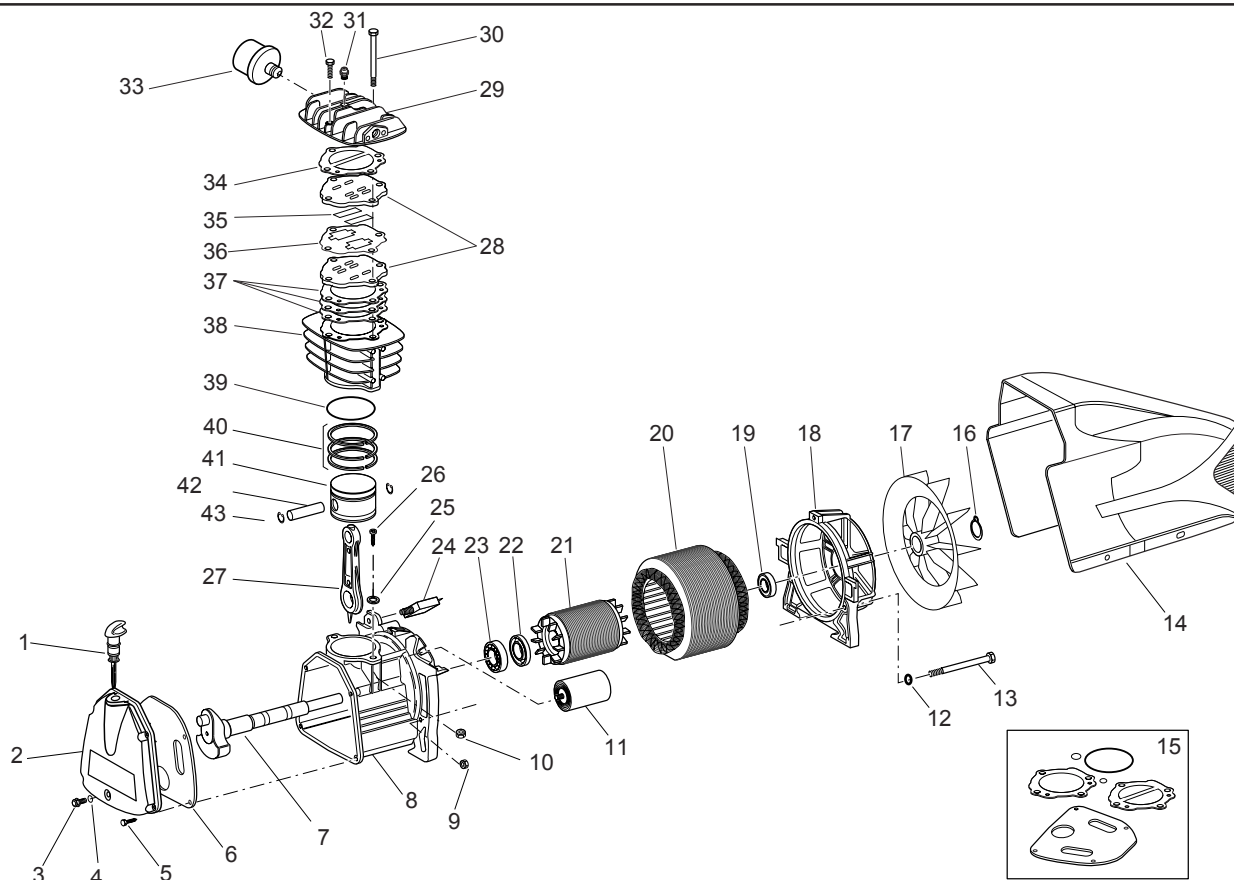


Type: **Coaxial**Model: **MK137 115V/60Hz CSA**Code: **516CP01648**Date: **OCT 2008**Version: **02**

Ref.	Q.ty	Code	*	Denomination
------	------	------	---	--------------

1	1	312043000	2	OIL DIPSTICK
2	1	016120003		COVER
3	1	014013024		SCREW
4	1	010072000		O RING
5	4	014006024		SCREW
6	1	116120030		GASING COVER GASKET
7	1	116CP0001		CRANKSHAFT
8	1	116120006		CRANKCASE
9	3	161190010		NUT
10	2	014003018		NUT
11	1	009200015	2	CAPACITOR
12	3	014008020		LOCKWASHER
13	3	014002125		SCREW
14	1	116CN0014		SHROUD
15	1	216CN0001	6	GASKETS SET
16	1	015083000		CIRCLIP
17	1	116120008		FAN
18	1	116120007		REAR COVER
19	1	033118000		BEARING
20	1	316CP1641	1	WOUND CASING
21	1	116022026		ROTOR
22	1	010132000		SEAL RING
23	1	033082000		BEARING
24	1	008426000	2	OVERLOAD COUOUT
25	1	014008006		LOCKWASHER
26	1	014013001		TAPPING SCREW

* Suggested parts in percentage

Ref.	Q.ty	Code	*	Denomination
27	1	116121005	2	CONNECTING ROD
28	2	116CN0030		VALVE PLATE
29	1	116CN0013		HEAD
30	2	014001075		SCREW
31	1	011000183		COLD START VALVE
32	2	014002026		SCREW
33	1	317081000	4	INTAKE FILTER
34	1	116CN0050		HEAD GASKET
35	2	116022038		VALVE BLADE
36	1	116CN0051		VALVE GASKET
37	3	116HT0005		CYLINDER GASKET
38	1	116CN0015		CYLINDER
39	1	010133000		O RING
40	1	216022002	4	PISTON RING SET
41	1	116022004		PISTON
42	1	116022040		PISTON PIN
43	2	015001000		CIRCLIP