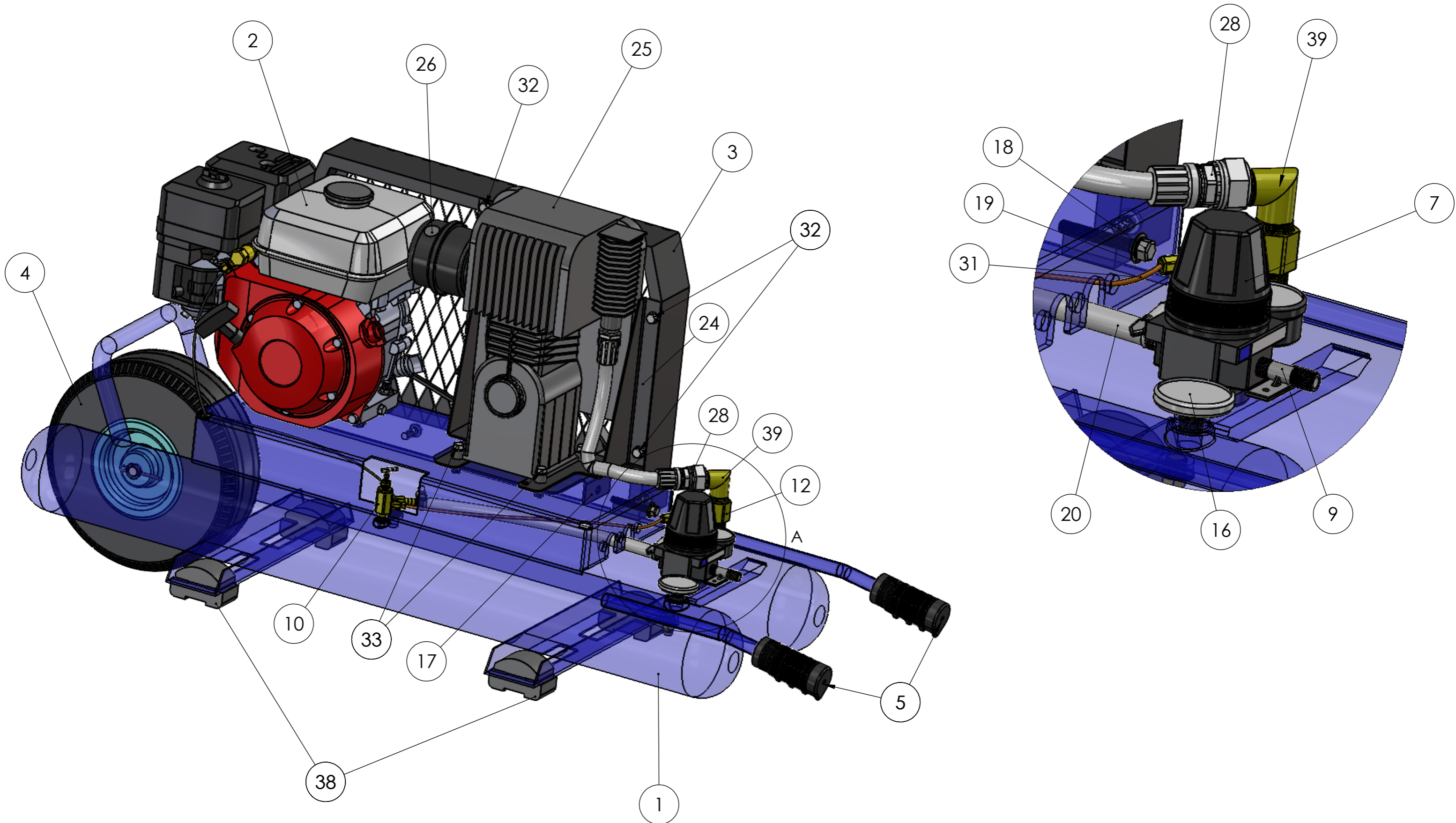
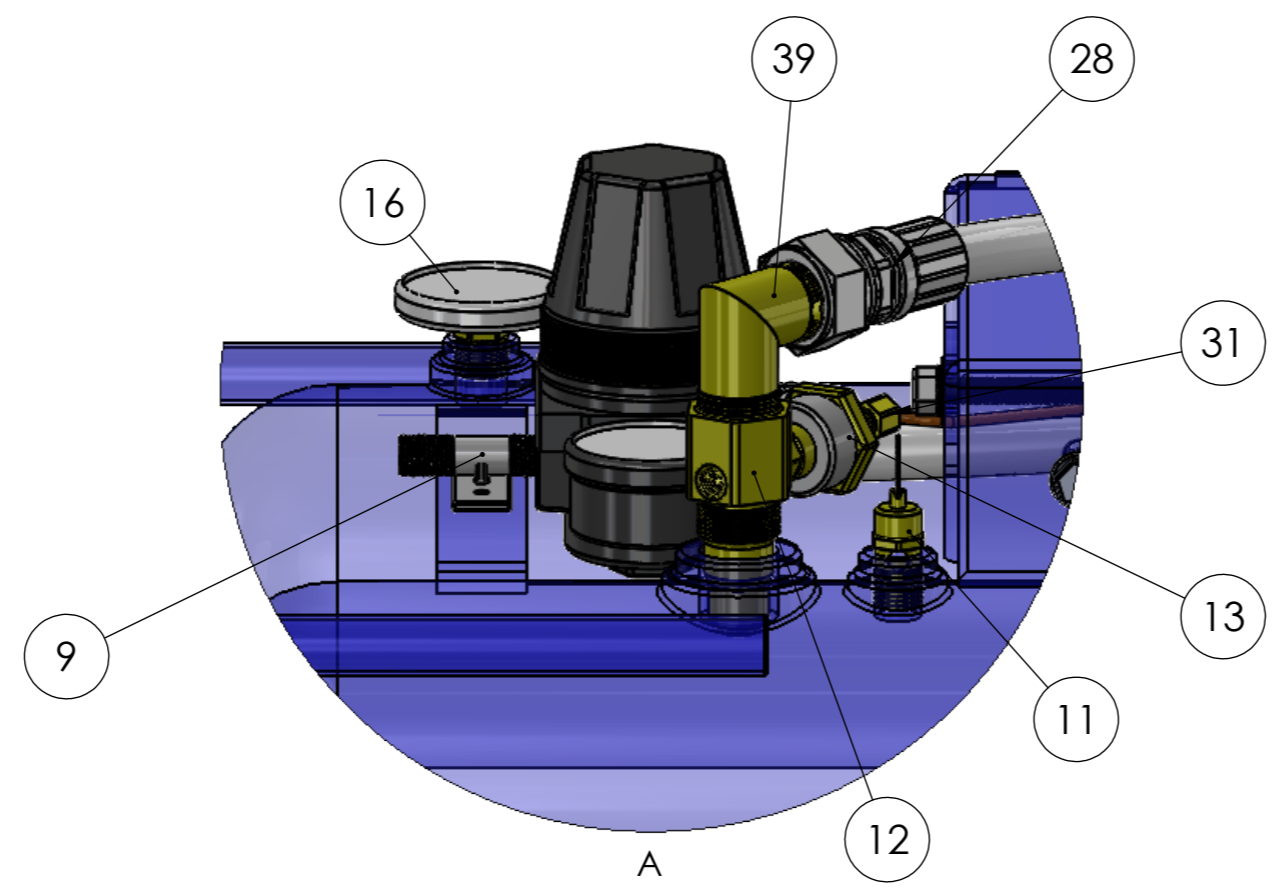
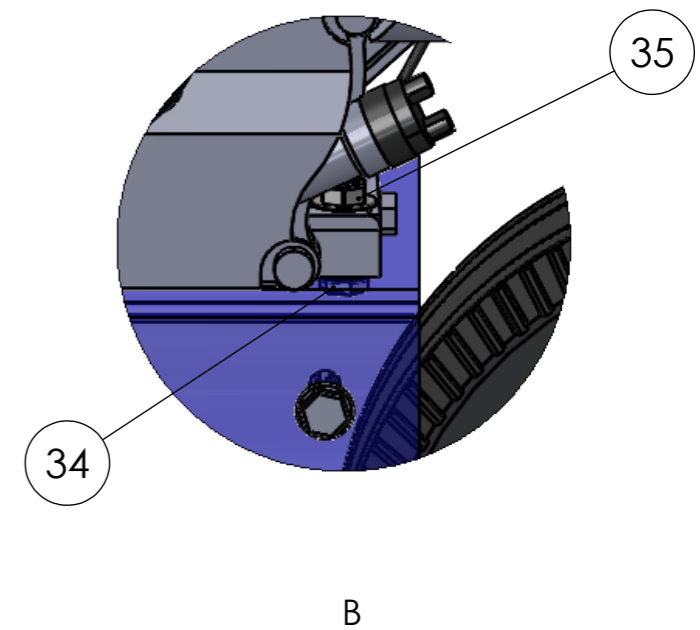
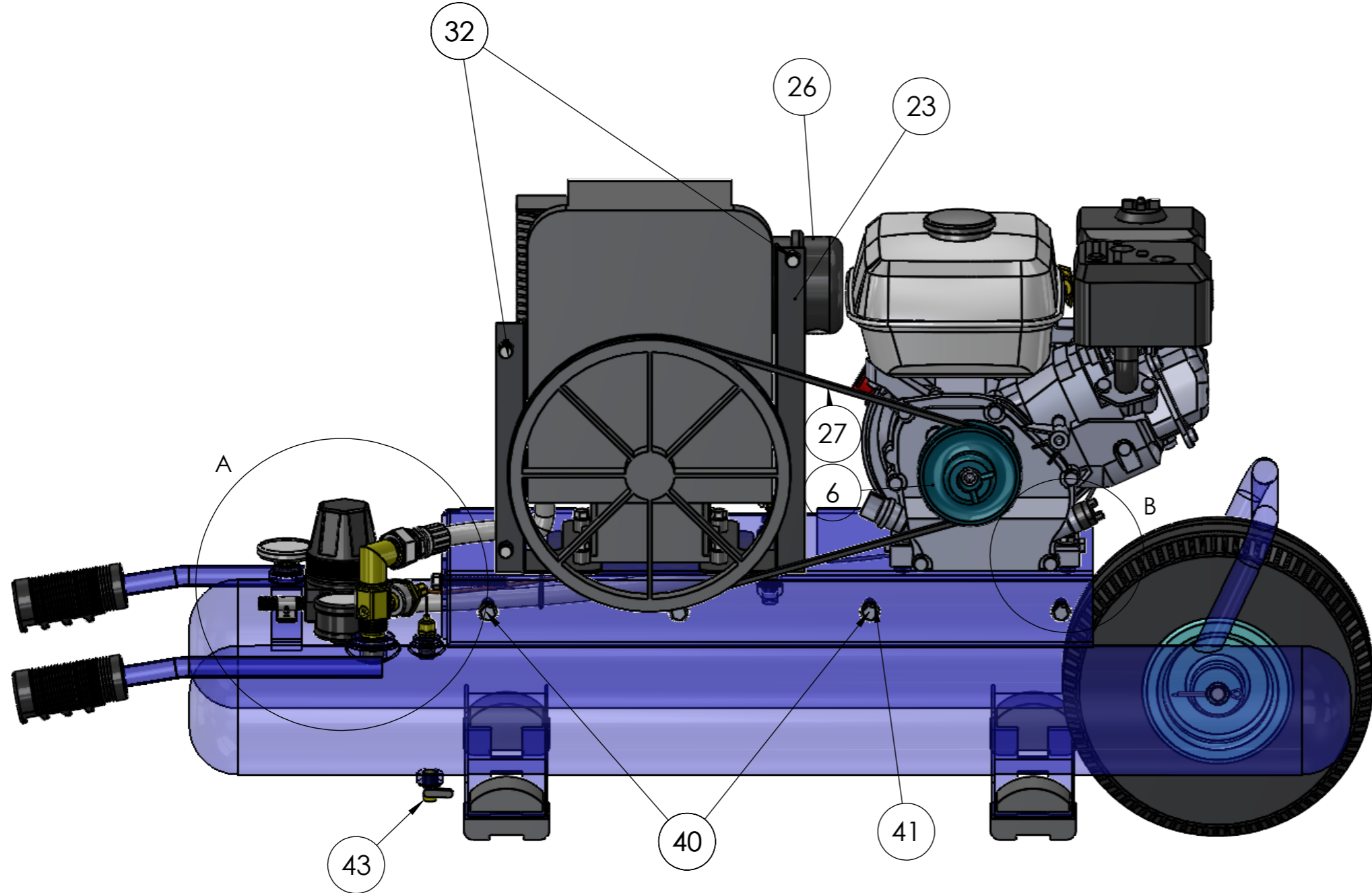
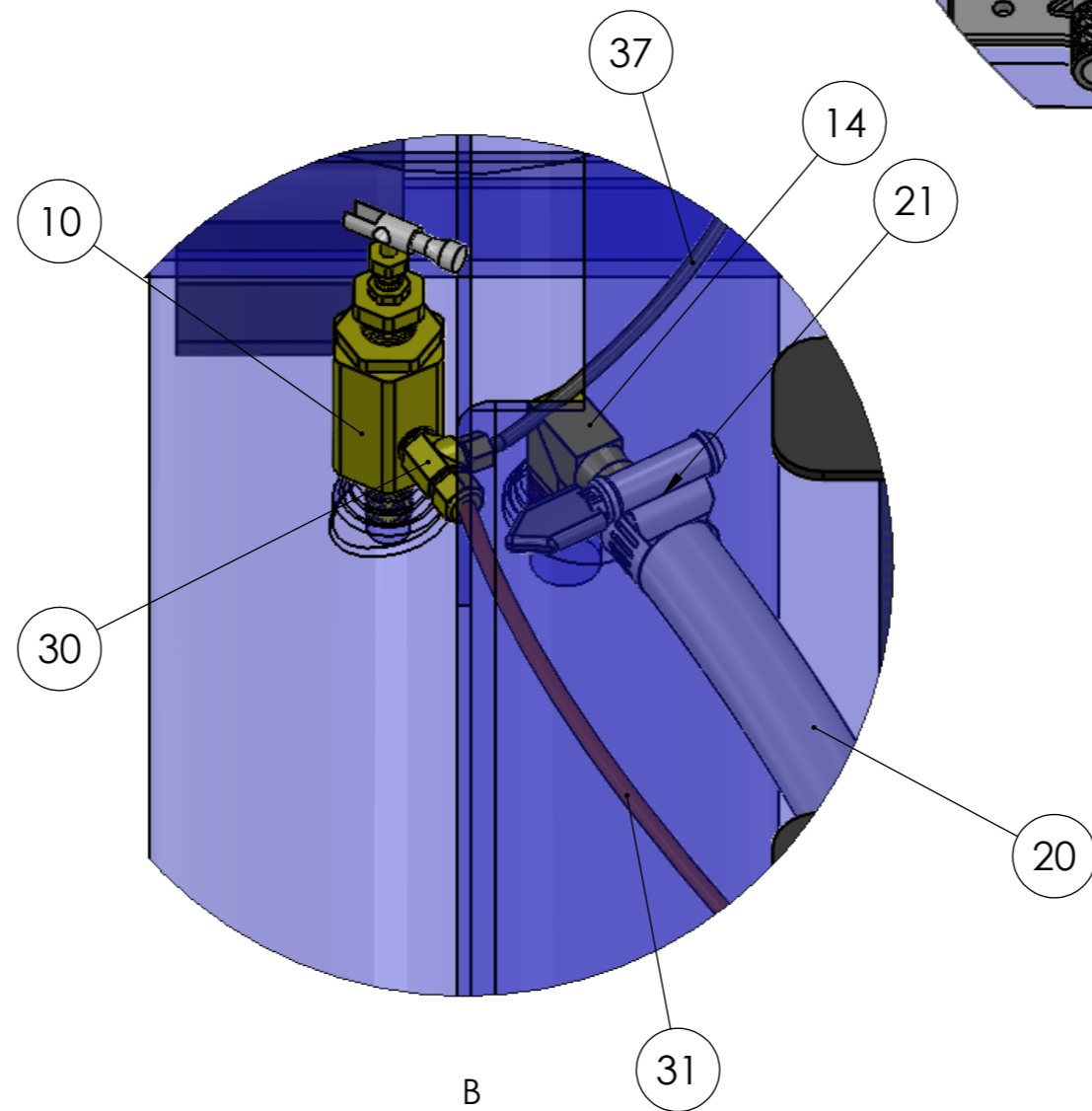
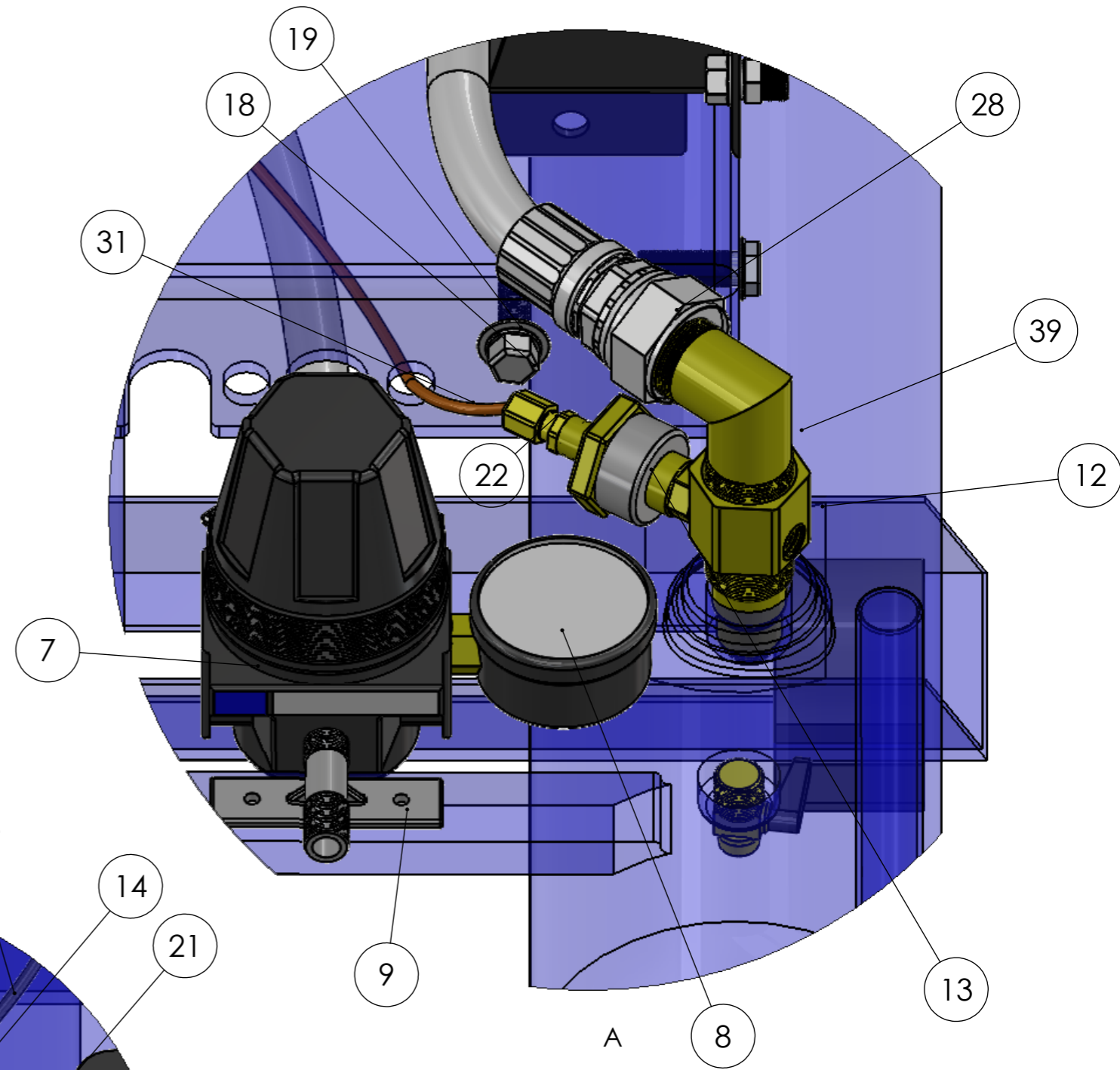
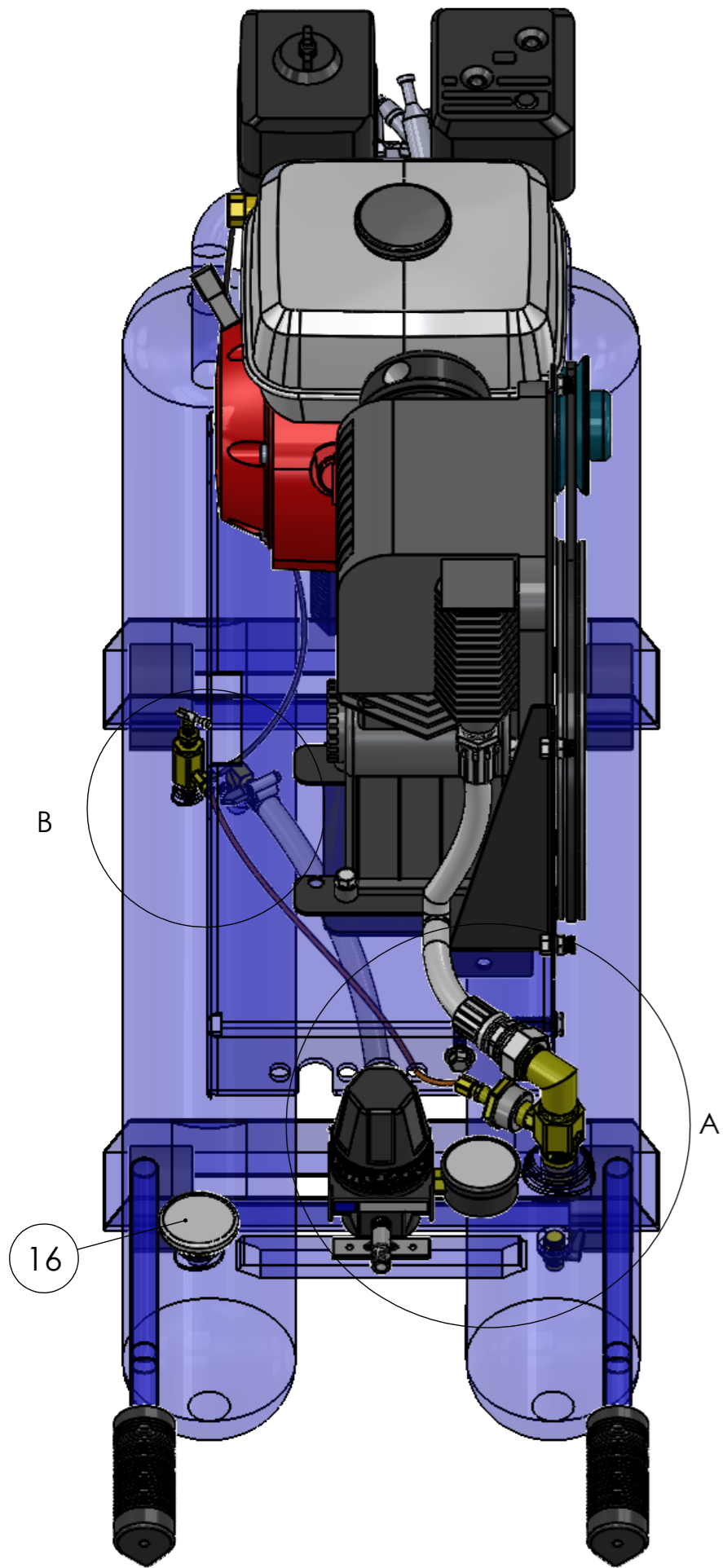


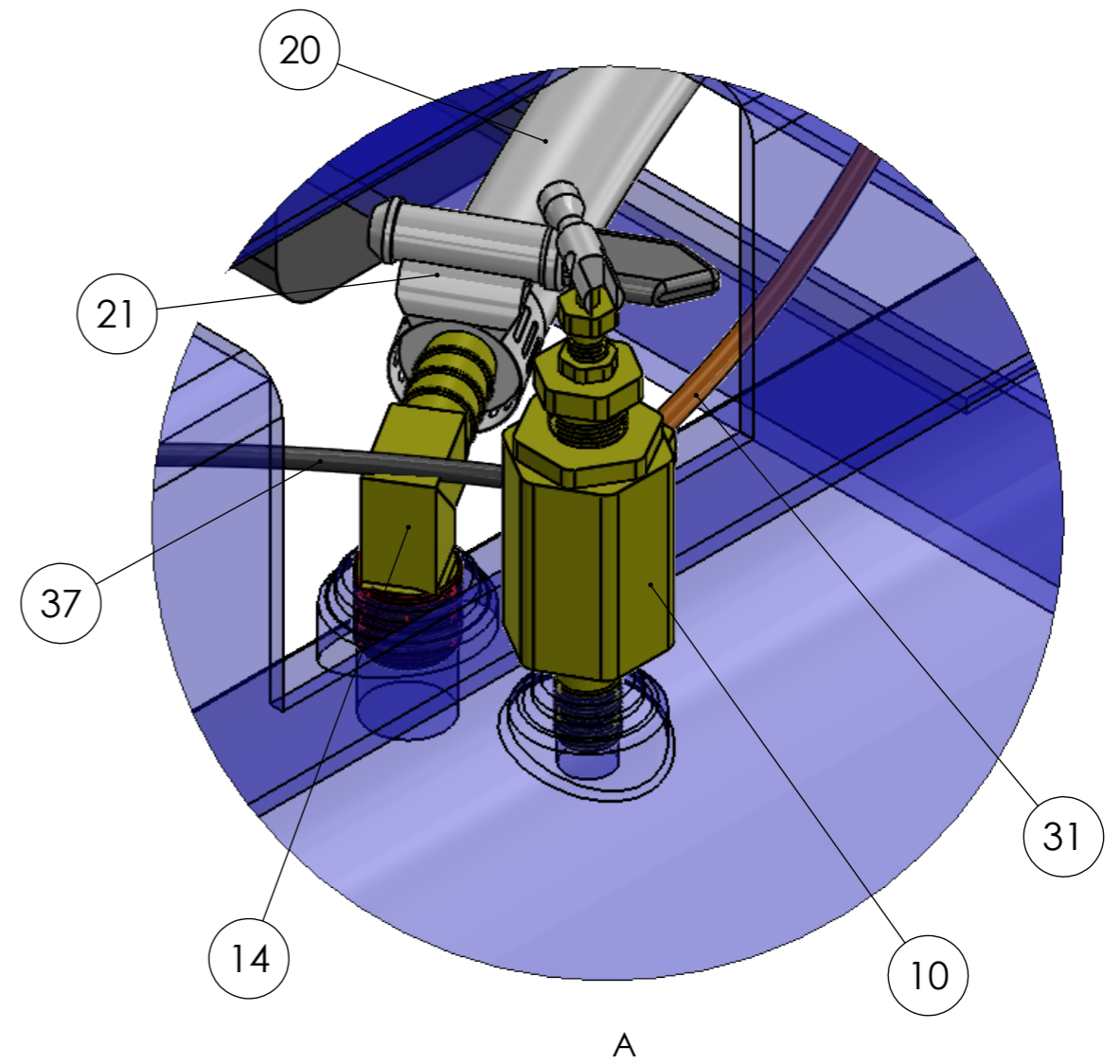
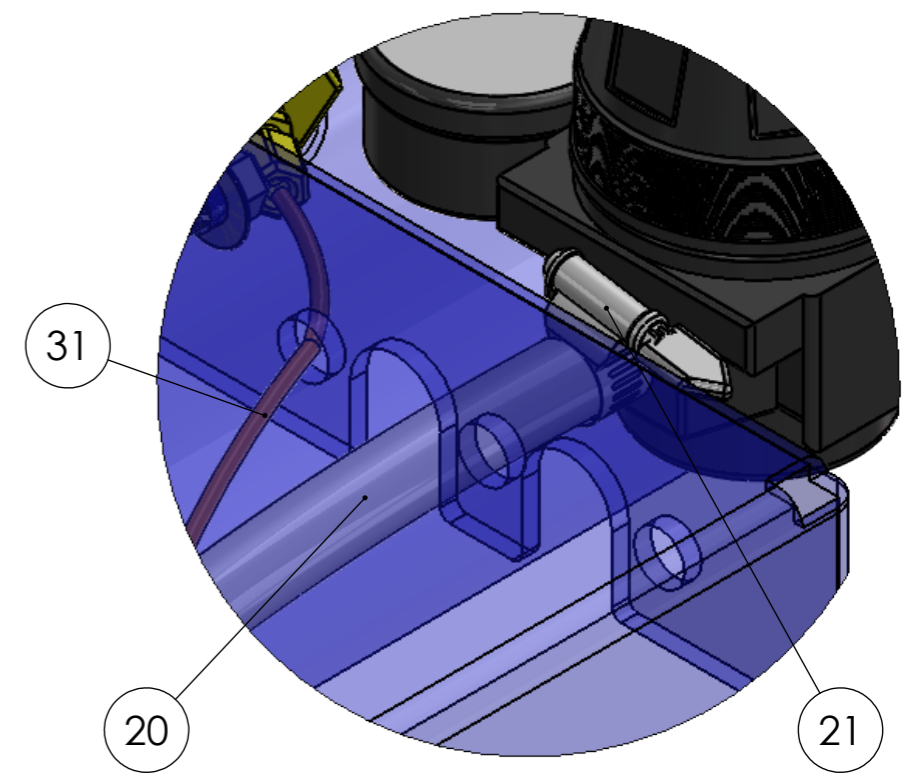
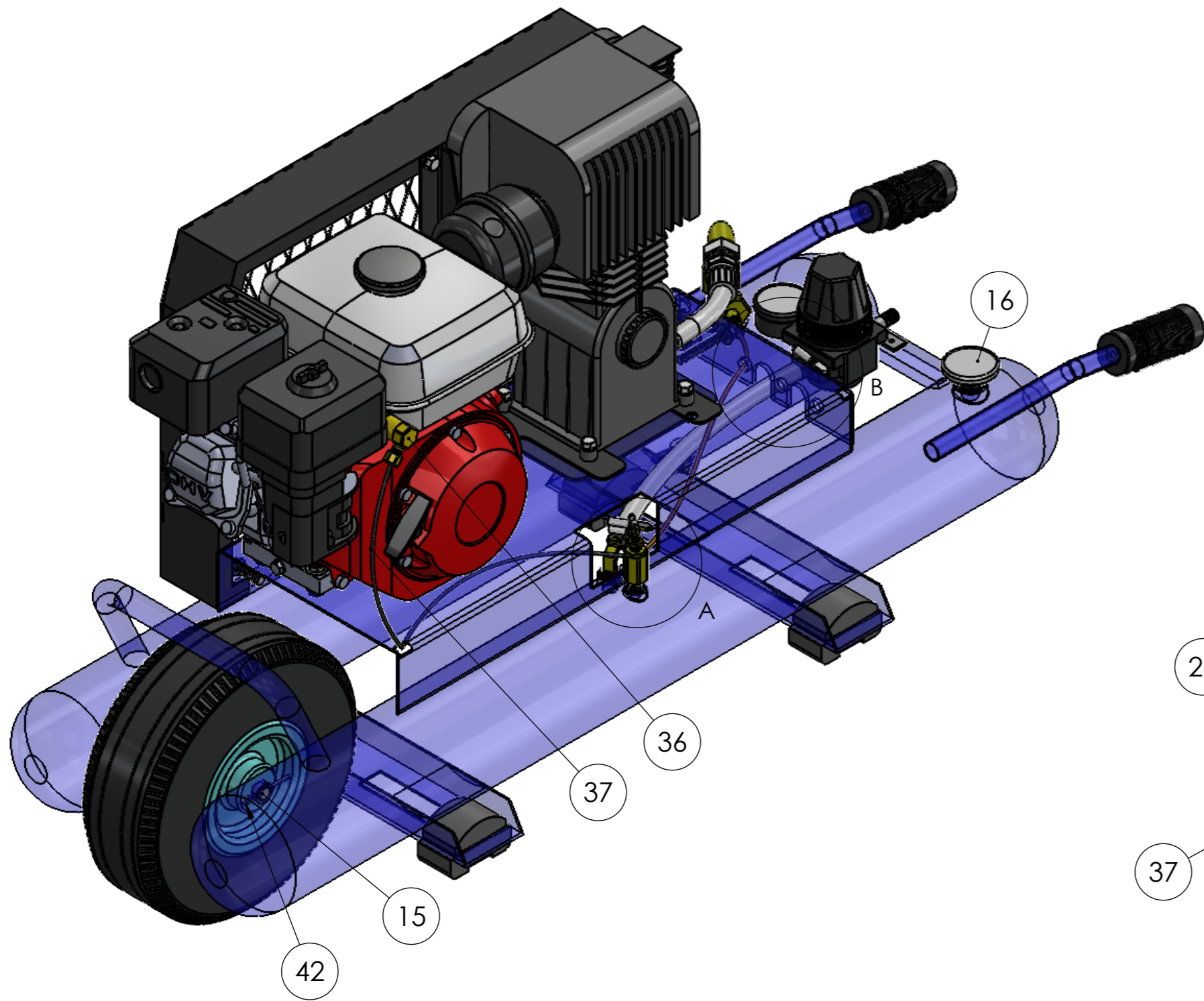
J113H5-9P







B



No. ARTICLE	Part No.	DESCRIPTION	QTY
1	111553	WELDMENT, 9P, J103, STANDARD	1
2	111493-1	ENGINE, HONDA, 5.5HP	1
3	111943	BELT GUARD	1
4	111479	TIRE	1
5	111337	HANDLE GRIP	2
6	111504	PULLEY	1
7	111473	REGULATOR	1
8	111279	Gauge	1
9	111488	BRACKET, REGULATOR	1
10	111551	PILOT VALVE	1
11	111253	SAFETY VALVE	1
12	112237	CHECK VALVE	1
13	112207	UNLOADER	1
14	111243-1	Fitting, Hose barb, 90°, 3/8 to 1/2	1
15	111478	AXLE	1
16	111293	GAUGE	1
17	111205	NUT PLATE	1
18	111463	BOLT, 3/8-16X2 1/2	1
19	111994	Washer, 3/8	1
20	111474	HOSE	1
21	111276	Clamp	2
22	111248	FITTING, 1/8 NPT X 1/4 TUBE	1
23	111419	SUPPORT, BELT GUARD, 113, RIGHT HAND	1
24	111420	SUPPORT, BELT GUARD, 113, LEFT HAND	1
25	111520	Pump, J113	1
26	111684	FILTER ASSEMBLY	1
27	111476	BELT	1
28	111942-2	Aftercooler	1
30	111491	TEE ASSEMBLY, RUN	1
31	111531	TUBE	1
32	111274	BOLT, 1/4-20 X 3/4 LG, 5, PLATED	4
33	111241	BOLT 3/8-16 x 2	4
34	111501	BOLT, 5/16-18X1 3/4	4
35	111502	5/16-18 FLANGED LOCKNUT	4
36	111515	THROTTLE CONTROL	1
37	111532	Tube	1
38	111203	FOOTPAD	4
39	112209		1
40	111470	SCREW, 1/4-20 X 1"	4
41	111472	1/4" FENDER WASHER	4
42	111480	COTTER PIN	2
43	111SDV		1