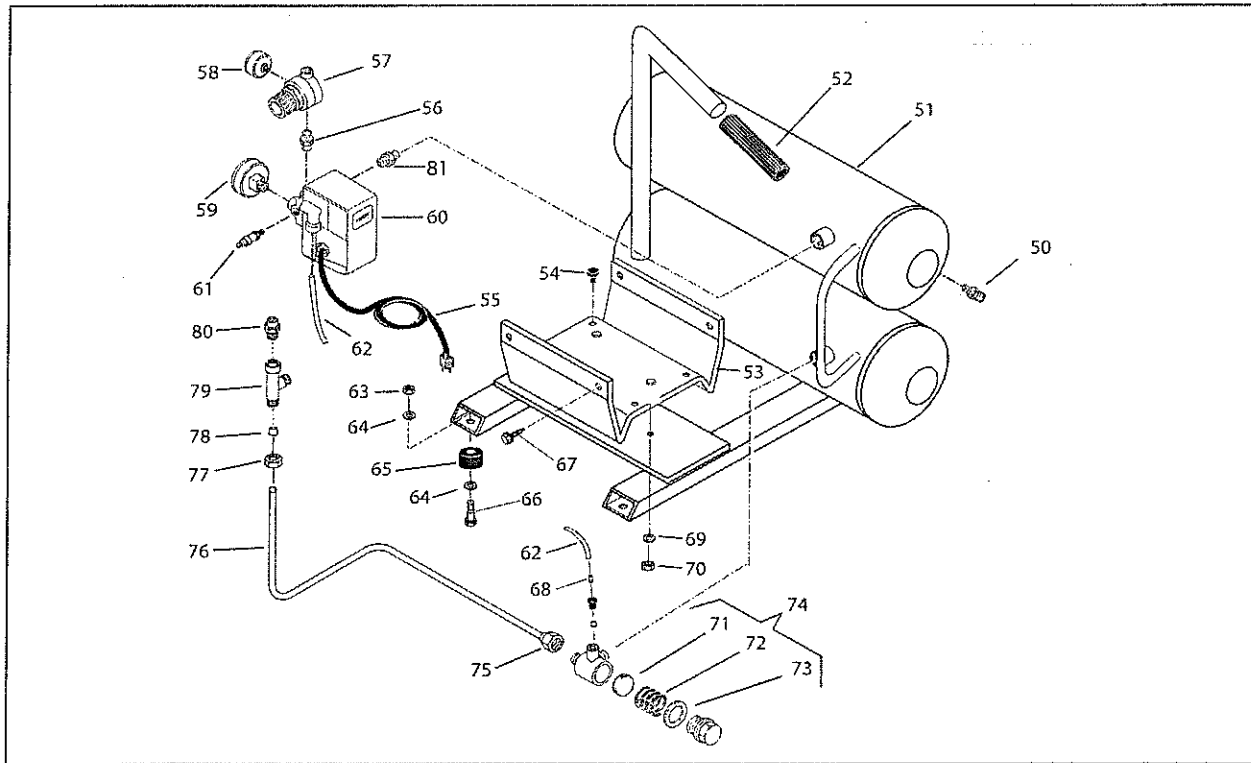


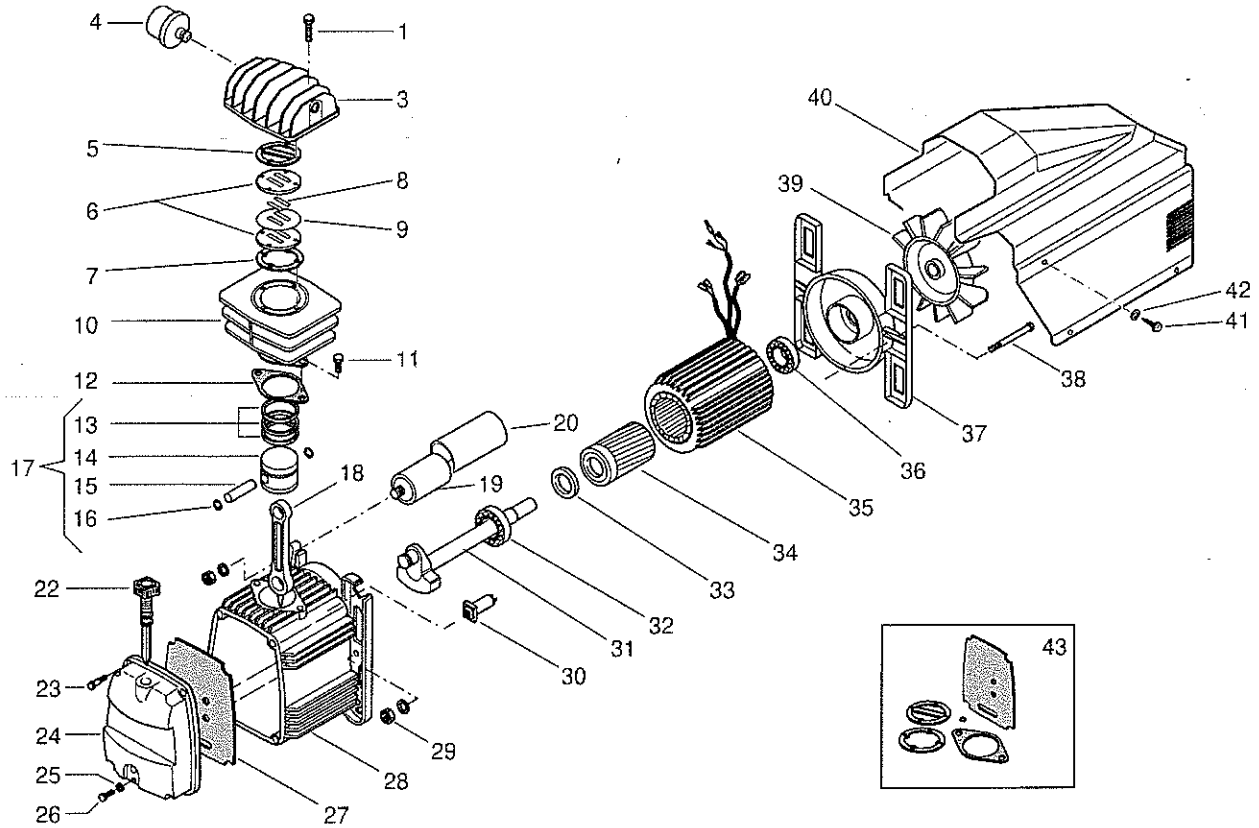
## BI -TANK MK246



ref.	q.ty	code			
50	2	022029000	DRAIN COCK	ROBINET PURGE CONDESTATS	GRIFO DESCARGA CONDENSACION
51	1	162QC0010	TANK 4,3 GAL.	RESERVOIR	DEPOSITO
52	1	127GH0012	HANDLE	MANCHE	EMPUNADURA
53	1	127GH0010	UNIT PLATE	TOLE SUPPORT	CHAPA SOPORTE
54	4	199575000	PUMP VIBRATION DAMPER	SUPPORT ANTIVIBRATOIRE	ANTIVIBRADORES
55	1	164A08300	POWER CABLE	CABLE ALIMENTATION	CABLE ALIMENTACION
56	1	011017000	NIPPLE	MAMELON	NIPLE
57	1	319205000	PRESSURE REDUCER 1/4 NPT	REDUCTEUR PRESSION	REDUCTOR PRESION
58	1	330006001	PRESSURE GAUGE	MANOMETRE	MANOMETRO
59	1	330052000	PRESSURE GAUGE 0-230 PSI / 125 PSI	MANOMETRE 0-230PSI/125 PSI	MANOMETRO 0-230 PSI/125 PSI
60	1	321054000	PRESSURE SWITCH	PRESSOSTAT	PRESOSTATO
61	1	047027000	SAFETY VALVE	VALVE DU SOULAGEMENT	VALVULA DE LIBERACION
62	1	046001000	RILSAN TUBE	DURITE RILSAN	TUBO RILSAN
63	4	014003001	NUT	ECROU	TUERCA
64	8	014005002	WASHER	MACHINE A LAVER	LAVADORA
65	4	020004001	VIBRATION DAMPER	SUPPORT ANTIVIBRATOIRE	ANTIVIBRADORES
66	4	014001041	SCREW TE M8X20	VIS	TORNILLO
67	4	014013042	SCREW	VIS	TORNILLO
68	1	011304000	COMPASS	COMPAS	COMPAS
69	3	014008008	WASHER	MACHINE A LAVER	LAVADORA
70	3	014003002	NUT	ECROU	TUERCA
71	1	047113001	SEAL	RESSORT	MUELLE
72	1	047113002	SPRING	SOURCE	PRIMAVERA
73	1	010041000	O-RING	LES O SONNENT	JUNTA TRICA
74	1	347043000	NON RETURN VALVE	CLAPET DE RETENUE	VALVULA DE AJUSTE
75	1	199437000	LOCKNUT	FERMAZ A CLE LA NOIX	NUEZ DE CERRADURA
76	1	127QC0010	DELIVERY TUBE	TUYAU DE REFOULEMENT	TUBO IMPULSION
77	1	011117002	LOCKNUT	LOCKNUT	LOCKNUT
78	1	011117000	COMPRESSION RING	BAGUE DE LA COMPRESSION	ANILLO DE COMPRESION
79	1	199617000	FITTING	RACCORD	EMPALME
80	1	011158000	AUTOM. DISCHARGE VALVE	SOUPAPE DECHARGE AUTOMATIQUE	VALVULA AUTOMATICA PURGA
81	1	011017001	NIPPLE	MAMELON	NIPLE

**MK246**

**- V 120/60Hz/1Ph**



Ref. Qty	Code	Description	Designation	Designacion	
1	4	014002021	SCREW	VIS	TORNILLO
3	1	116022002	HEAD	TETE	CABEZAL
4	1	317007000	INTAKE FILTER	FILTRE ADMISSION	FILTRO ASPIRACION
5	1	116022009	HEAD SEAL	JOINT DE CULASSE	JUNTA CABEZAL
6	1	116022013	VALVE HOLDER PLATE	PLAQUE SUPPORT SOUPAPES	PLACA PORTA-VALVULAS
7	1	116022010	CYLINDER SEAL	JOINT DE CYLINDRE	JUNTA CILINDRO
8	2	116022038	VALVE BLADE	SOUPAPE A CLAPET	VALVULA DE LAMINAS
9	1	116022012	VALVE PLATE GASKET	JOINT DE PLAQUES	JUNTA PLACAS
10	1	116093009	CYLINDER	CYLINDRE	CILINDRO
11	2	014011064	SCREW	VIS	TORNILLO
12	1	116091016	CASING SEAL	JOINT DE CARTER	JUNTA CARTER
13	1	216022002	PISTON RING KIT	KIT SEGMENTS	KIT SEGMENTOS
14	1	116022004	PISTON	PISTON	PISTON
15	1	116022040	GUDGEON PIN	GOUJON	CLAVIJA
16	2	015001000	PIN RETAINING RING	CIRCLIP	ANILLO SEEGER
17	1	416022004	COMPLETE PISTON	PISTON COMPLET	PISTON COMPLETO
18	1	116091021	CONNECTING ROD	BIELLE	BIELA
19	1	009200075	FILM CONDENSER	CONDENSATEUR	CONDENSADOR
20	1	116034013	FILM CONDENSER PROTECTION	PROTECTION CONDENSATEUR	PROTECCION CONDENSADOR
22	1	012043000	OIL DIPSTICK	JAUGE A HUILE	VARILLA ACEITE
23	4	014013021	SCREW	VIS	TORNILLO
24	1	016091002	CASING COVER	COUVERCLE CARTER	TAPA CARTER
25	1	010072000	O-RING	JOINT TORIQUE	ANILLO OR
26	1	014013024	SCREW	VIS	TORNILLO
27	1	116091011	COVER SEAL	JOINT DE COUVERCLE	JUNTA TAPA
28	1	116091001	CASING	CARTER	CARTER
29	2	014003002	NUT	ECROU	TUERCA
30	1	008029000	OVERLOAD CUTOUT	PROTECTEUR MOTEUR	PROTECCION CONTRA SOBRECARGAS
31	1	116022011	CRANKSHAFT	VILEBREQUIN	ARBOL DE MANIVELA
32	1	033027000	BEARING	PALIER	COJINETE

Ref. Qty	Code	Description	Designation	Designacion	
33	1	010029000	SEAL	BAGUE D'ETANCHEITE	JUNTA
34	1	116092003	ROTOR	ROTOR	ROTOR
35	1	416QC1652	WOUND CASING	CARCASSE ENROBEE	CARCASA RECUBIERTA
36	1	033118000	BEARING	PALIER	COJINETE
37	1	116011002	FRONT COVER	CALOTTE	PROTECCION
38	2	116011038	SCREW	VIS	TORNILLO
39	1	116001003	FAN	VENTILATEUR	VENTILADOR
40	1	116QC0001	HOUSING	CARENAGE	CARENADO
41	2	014006121	SCREW	VIS	TORNILLO
42	2	014005037	WASHER	RONDELLE	ARANDELA
43	1	216093003	SEAL KIT	KIT JOINTS	JUNTAS